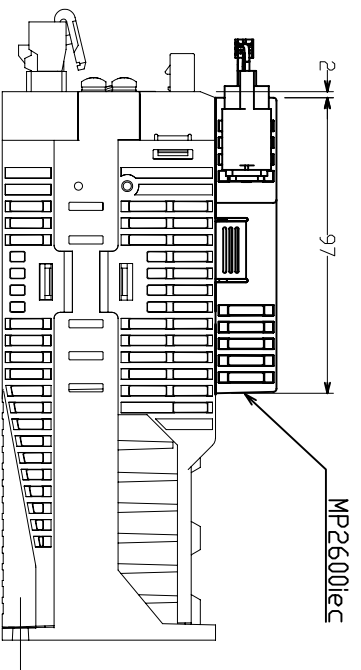
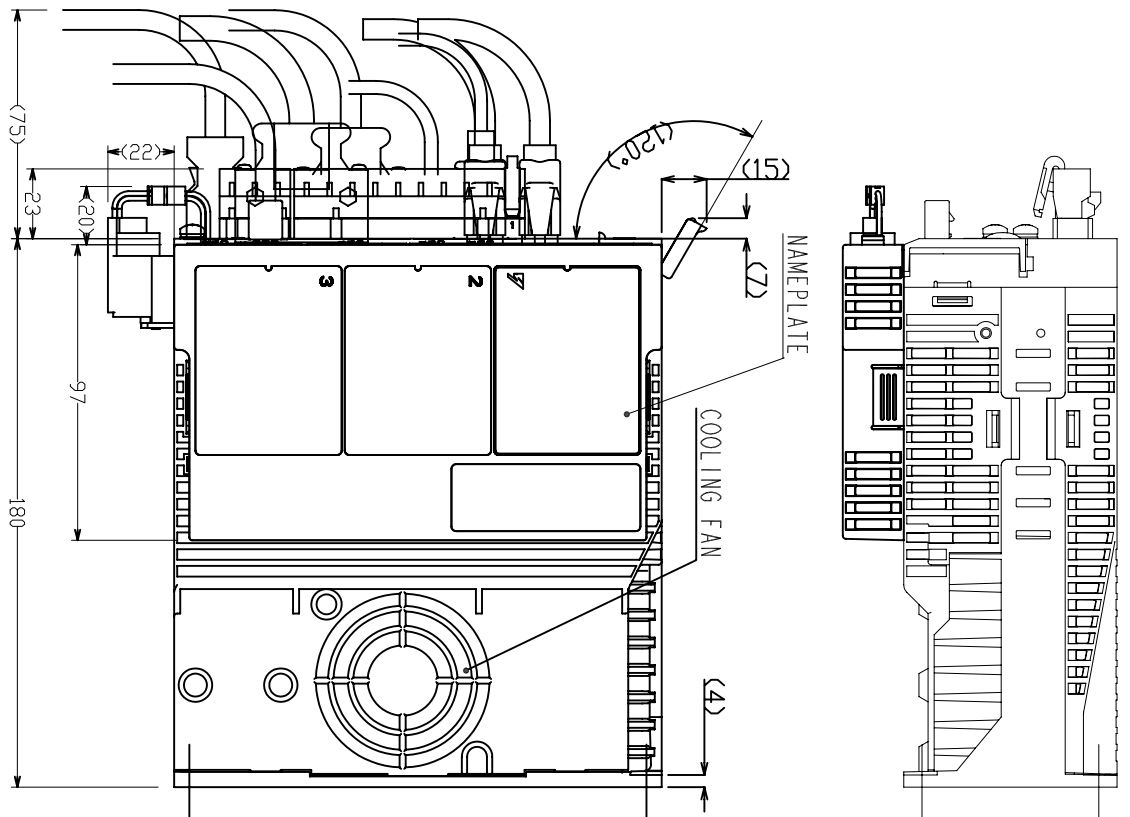
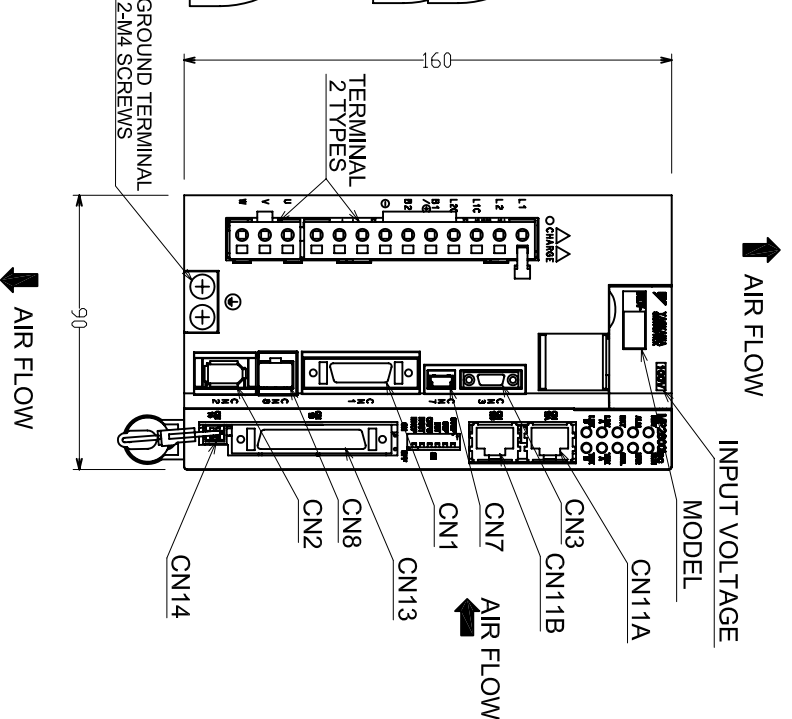
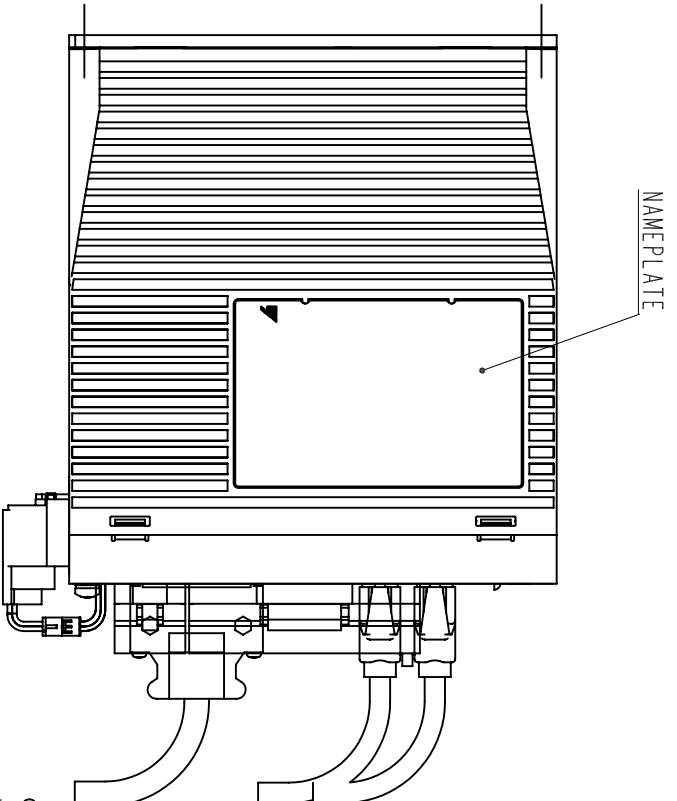


MOUNTING HOLE DIAGRAM



REV.	DESCRIPTION	EC #	DRAWN BY	DATE
0	INITIAL RELEASE	EAR 2010-548	A. SLIMAK	10/14/10

Models
SGDV-2R8FE1A000000300
SGDV-2R8FE5A000000300

MATERIAL:	TOLERANCES / REFERENCES:	UNLESS OTHERWISE SPECIFIED	
SPEC:	N/A		
FINISH:			
MODELS:	SEE CHART		
REF DWGS:	900-048-847 <0>	UDE00303	
UNITS:	mm	SCALE:	1 : 2.50
		DRAWN: A. SLIMAK CHECKED: C. KINTNER TECH: D. LEE APPROVED: M. MORAN ORIGINAL DESIGNER:	
THIS DOCUMENT AND INFORMATION CONTAINED IN IT ARE CONFIDENTIAL, AND CANNOT BE COPIED OR DISCLOSED IN WHOLE OR IN PART WITHOUT THE EXPRESS WRITTEN CONSENT OF YASKAWA AMERICA, INC.		DATE: 10/14/10 DATE: 10/14/10 DATE: 10/14/10	TITLE: SGDV-2R8FXXA000000300 OUTLINE DRAWING (xx: E1, E5)
SIZE:	B	REVISION:	0
DRAWING #:	UDE00305	PAGE:	1 of 1

(NOTE 1) Refer to UDE00303 for the outline drawing of the MP2600iec option unit.

APPROX. MASS: 1.7kg